

D2 Turbo Theft-resistant cage
parts identification manual



**DOMESTIC
SLIDING GATE
OPERATOR**

1. General description

The CENTSYS **D2 Turbo Theft-resistant Cage** is designed to significantly reduce the risk of an intruder gaining access to the operator and increases the resistance of the unit against theft. Manufactured from 304 brushed stainless steel, it will not only enhance the security of your entrance, but will add to the aesthetic appeal too.

It is important that the **Theft-resistant Cage** is properly fitted as per the instructions given and that a suitable lock is fitted. Please note that a lock is not supplied in this kit. CENTSYS recommends using a discus-type lock.

Disclaimer: Centurion Systems (Pty) Ltd cannot be held liable under any circumstances for any damage, loss or action that results from the **D2 Turbo Theft-resistant Cage** being forced open or tampered with.

2. Product identification

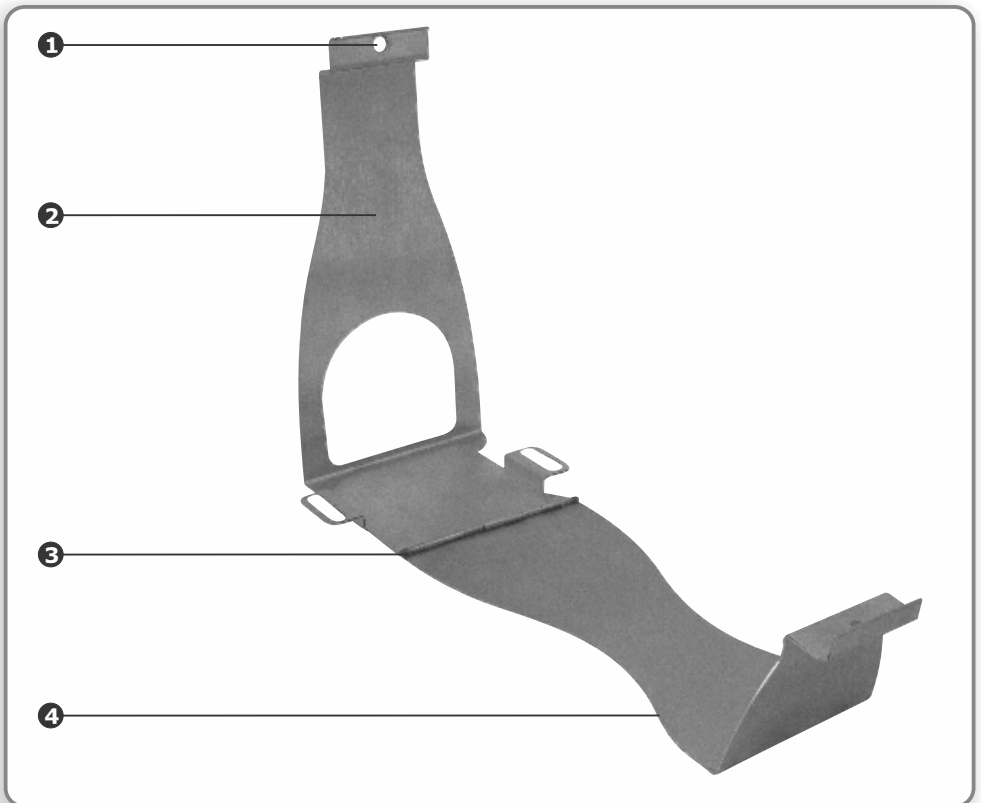
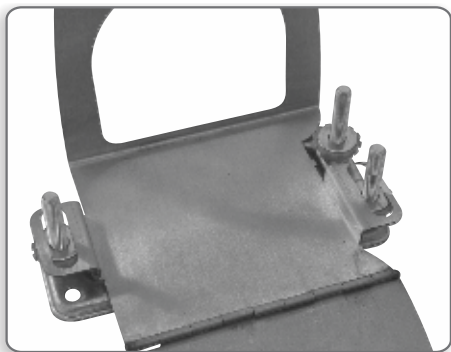


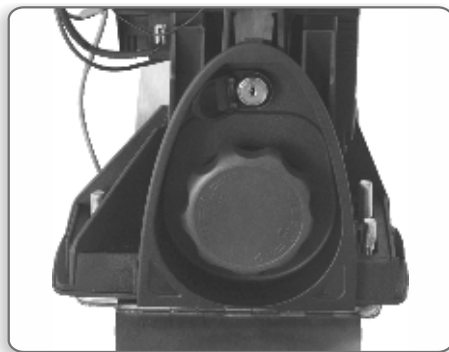
FIGURE 1 D2 TURBO THEFT-RESISTANT CAGE IN OPEN (UNFOLDED) CONFIGURATION

- | | |
|------------------------------------|----------------|
| 1. 10mm holes for discus type lock | 3. Hinge pin |
| 2. Rear strap | 4. Front strap |

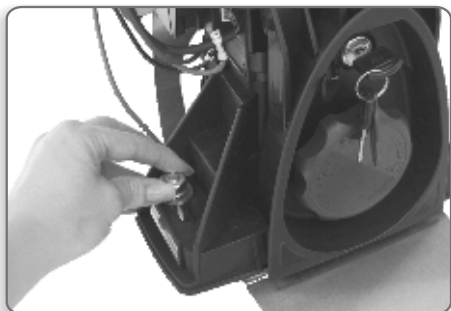
3. Step-by-step installation instructions



1. Remove the **D2 Turbo** unit from the height adjusters, and position the **Theft-resistant Cage** on the retaining studs.



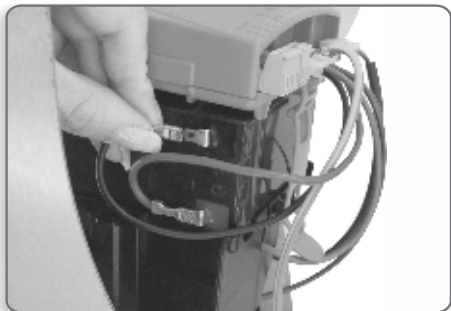
2. Place the **D2 Turbo** unit back on top of the **Theft-resistant Cage** and position it on the retaining studs.



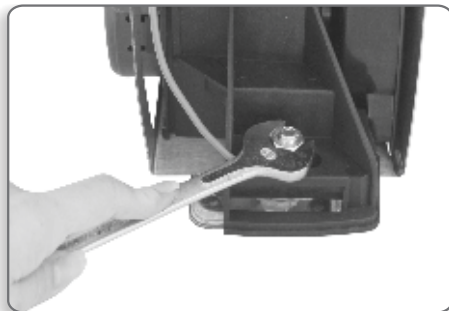
3. Replace the M10 washers and nuts on the studs on the left hand side.



4. Replace the M10 washers and nuts on the studs on the right hand side.



5. Reconnect the power and battery



6. Position the motor and pinion in relation to the rack, ensuring it is correctly aligned and at the correct height. Re-fasten the nuts.



7. Return the cover to the operator and clip into place. Return the manual release thumbwheel to the 'locked' position

Lock the cover in place using the camlock key supplied with the operator.



8. Fold the front strap of the **Theft-resistant Cage** up and over the unit so that the 10mm holes on the tabs line up.



9. Place the disc type padlock (not included in this kit) through the holes to lock the **Theft-resistant Cage** straps together.